

# 1. datapath

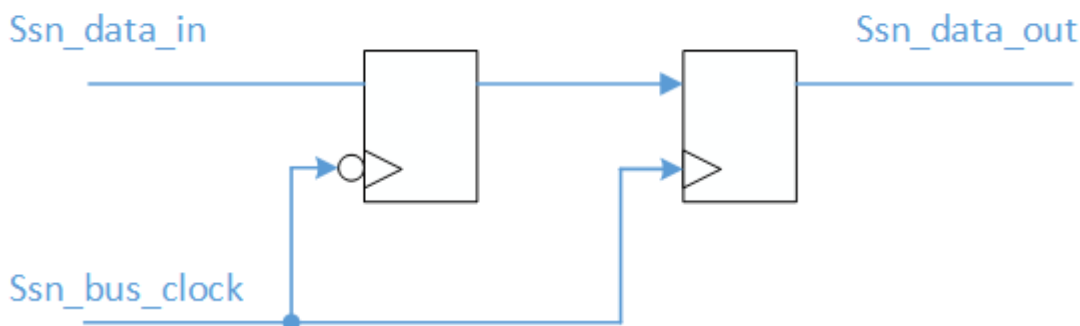
## 1.1 pipeline

有三种pipeline, 这三种pipe从端口上来看时序是一样的, 最终效果都是用正沿打一拍

### Receiver1xPipeline

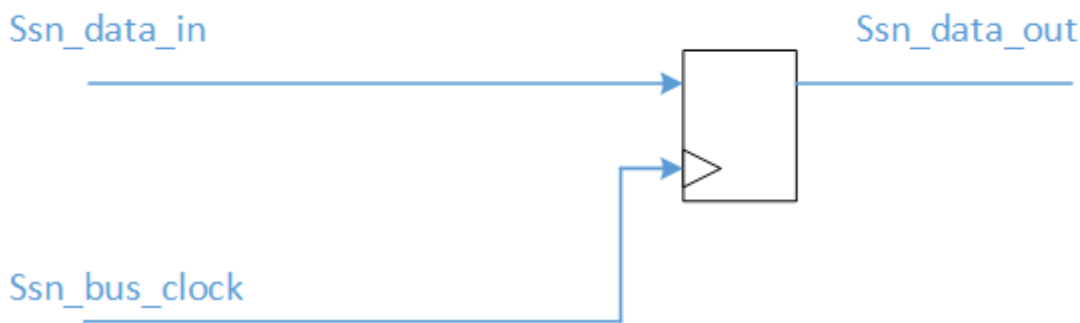
前一级是用正沿打出来的, 这里先用负沿打一下是为了修hold 比如前级reg的clk tree比较短, 后级的clk tree比较长, 这样后级采样的时候hold容易出问题。

Receiver1xPipeline



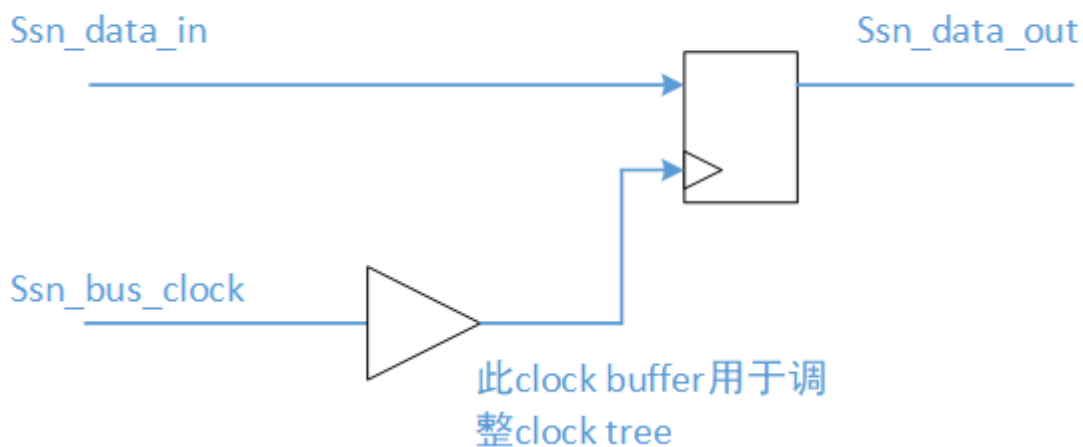
### Pipeline

Pipeline



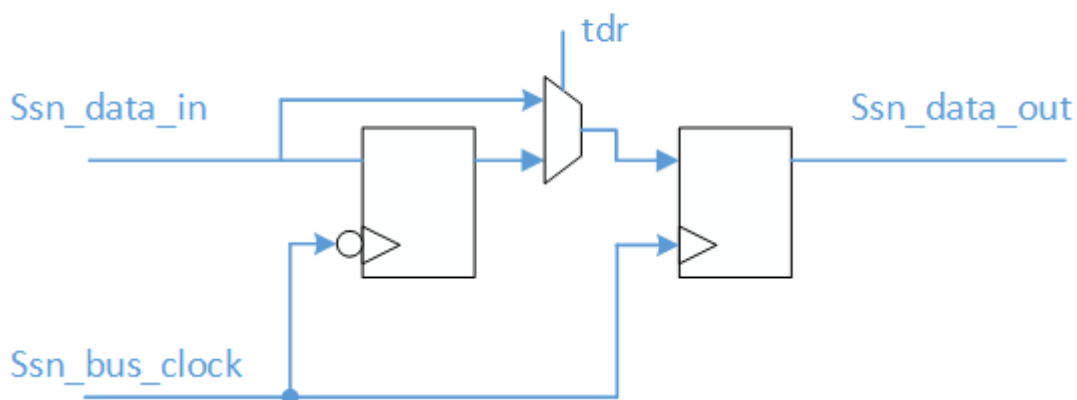
### OutputPipeline

### OutputPipeline



### RxPipeline

#### ReceiverPipeline 定制



## 1.2 example 1

```

DataPath(1) {
  output_bus_width      : 2;
  Pipeline(2) {
  }
  ScanHost(1) {
  }
  Pipeline(1) {
  }
}

```

graph LR
 ssn\_busin-->pipe1
 pipe1-->ssh
 ssh-->pipe2
 pipe2-->ssn\_busout

## 1.3 example 2

```

DataPath(1) {
  output_bus_width      : 2;
  ScanHost(1) {
  }
  Multiplexer(1) {
    Connections {
      secondary_bus_data_in : ssn_s0_bus_data_in[1:0];
    }
    Pipeline(22) {
    }
  }
  Pipeline(1) {
    ExtraOutputPath {
      Connections {
        bus_clock_out      : ssn_s0_bus_clock_out;
        bus_data_out       : ssn_s0_bus_data_out[1:0];
      }
      Pipeline(11) {
      }
    }
  }
}

```

graph LR
 ssn\_busin-->pipe1
 pipe1-->mux1
 pipe1-->pipe11;
 pipe11-->ssn\_s0\_bus\_o;
 ssn\_s0\_bus\_o -.->ssn\_s0
 ssn\_s0-->pipe22
 pipe22-->mux1
 mux1-->ssh
 ssh-->ssn\_busout

## 1.4 example 3

```

DataPath(1) {
  output_bus_width      : 2;
  ScanHost(1) {
  }
  Multiplexer(2) {
    Connections {
      secondary_bus_data_in : ssn_s1_bus_data_in[1:0];
    }
  }
  Pipeline(2) {
    ExtraOutputPath {
      Connections {
        bus_clock_out      : ssn_s1_bus_clock_out;
        bus_data_out       : ssn_s1_bus_data_out[1:0];
      }
    }
  }
}
Multiplexer(1) {

```

```

        Connections {
            secondary_bus_data_in : ssn_s0_bus_data_in[1:0];
        }
    }
    Pipeline(1) {
        ExtraOutputPath {
            Connections {
                bus_clock_out      : ssn_s0_bus_clock_out;
                bus_data_out       : ssn_s0_bus_data_out[1:0];
            }
        }
    }
}
}
}

```

```

graph LR
    ssn_busin-->pipe1
    pipe1-->mux1
    pipe1-->ssn_s0_bus_o
    ssn_s0_bus_o -.->ssn_s0
    ssn_s0-->mux1
    mux1-->pipe2
    pipe2-->mux2
    pipe2-->ssn_s1_bus_o
    ssn_s1_bus_o -.->ssn_s1
    ssn_s1-->mux2
    mux2-->ssh
    ssh-->ssn_busout

```