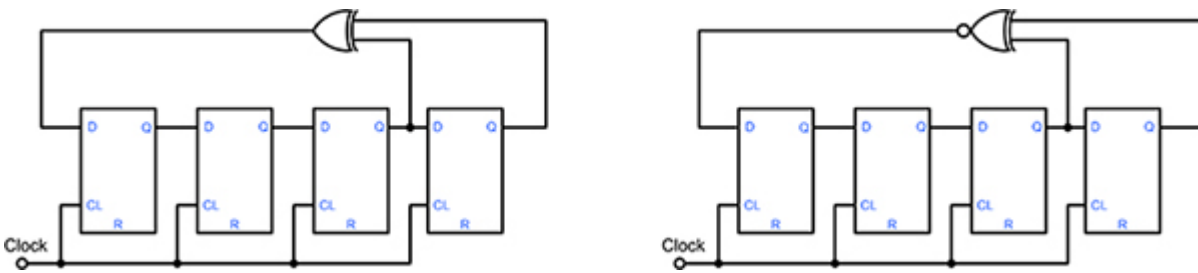
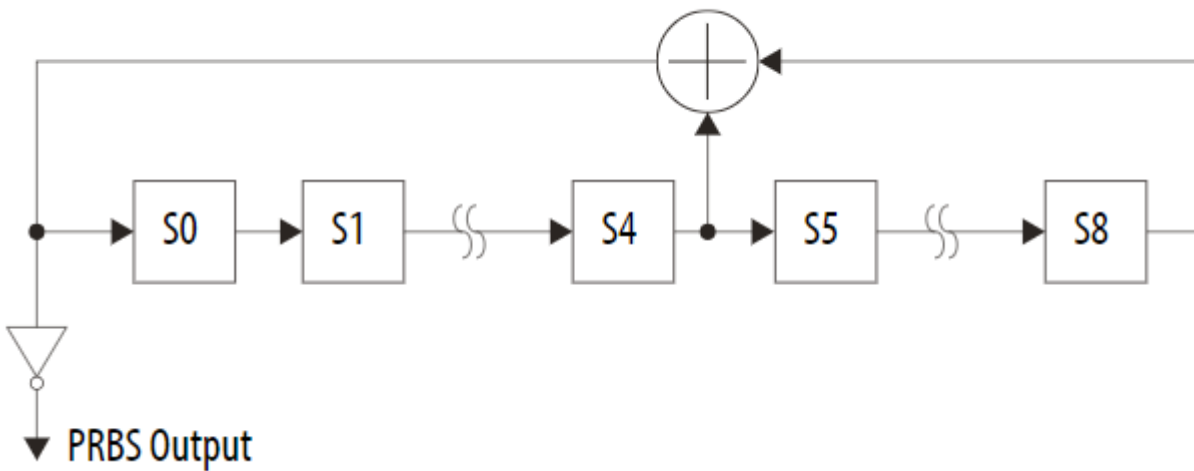


PRBS



prbs9

Figure 227. PRBS Generator for Serial Implementation of PRBS9 Pattern



1. 生成多项式

LFSR LENGTH	PRBS PERIOD (BITS)	TAPS	LFSR LENGTH	PRBS PERIOD (BITS)	TAPS
2	3	2, 1	17	131,071	17, 14
3	7	3, 2	18	262,143	18, 11
4	15	4, 3	19	524, 287	19, 6, 2, 1
5	31	5, 3	20	1,048,575	20, 17
6	63	6, 5	21	2,097,151	21, 19
7	127	7, 6	22	4,194,303	22, 21
8	255	8, 6, 5, 4	23	8,388,607	23, 18
9	511	9, 5	24	16,777,215	24, 23, 22, 17
10	1,023	10, 7	25	33,554,431	25, 22
11	2,047	11, 9	26	67,108,963	26, 6, 2, 1
12	4,095	12, 6, 4, 1	27	134,217,727	27, 5, 2, 1
13	8,191	13, 4, 3, 1	28	268,435,455	28, 25
14	16,383	14, 5, 3, 1	29	536,870,911	29, 27
15	32,767	15, 14	30	1,073,741,823	30, 6, 4, 1
16	65,535	16, 15, 13, 4	31	2,147,483,646	31, 28
32	4, 294,967,294	32, 22, 2, 1	32	4, 294,967,294	32, 22, 2, 1

