

# apb

## 1. apb写不等

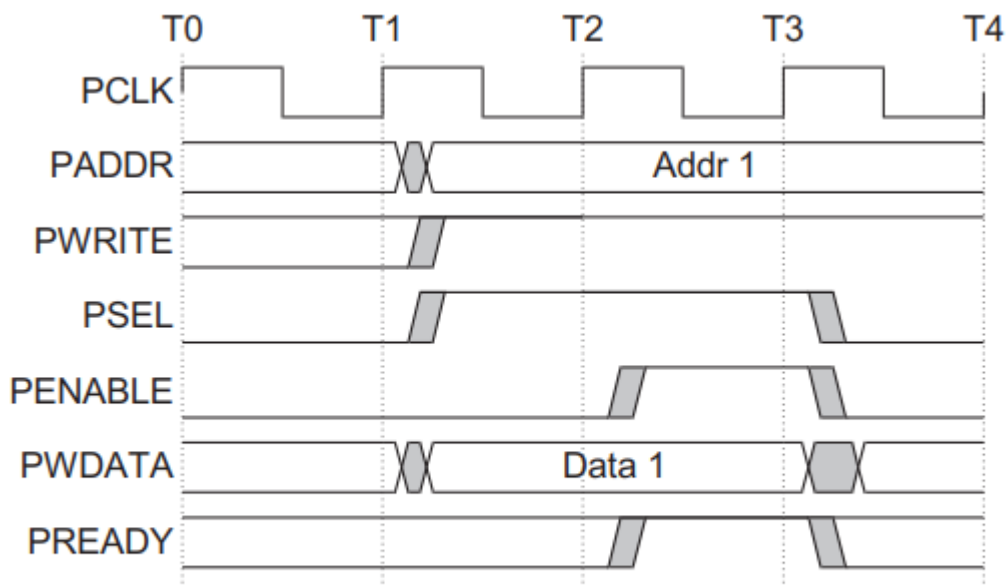


Figure 3-1 Write transfer with no wait states

## 2. apb写等

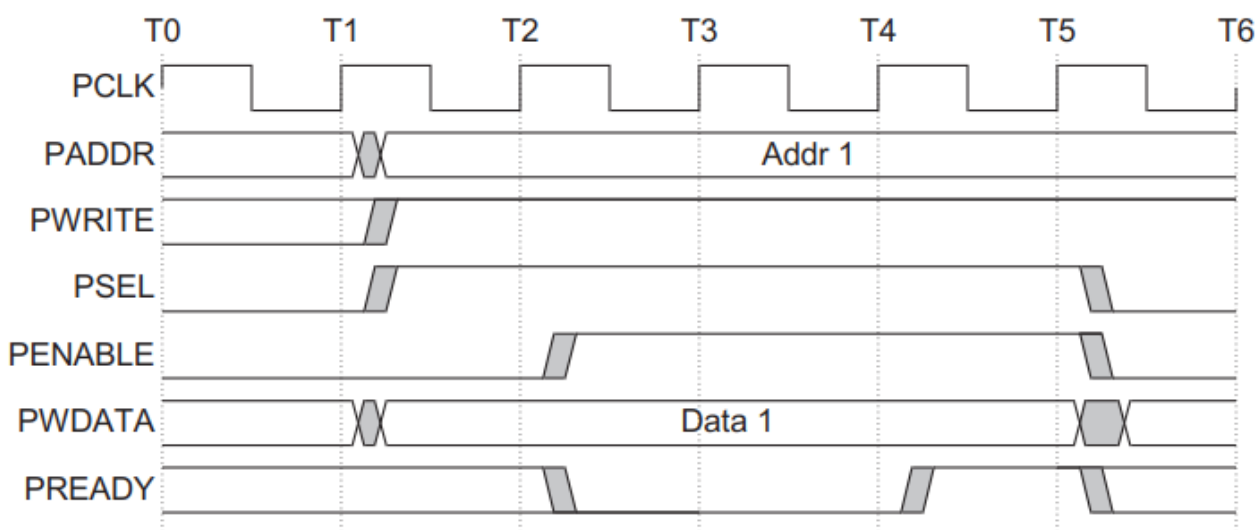


Figure 3-2 Write transfer with wait states

### 3. apb读不等

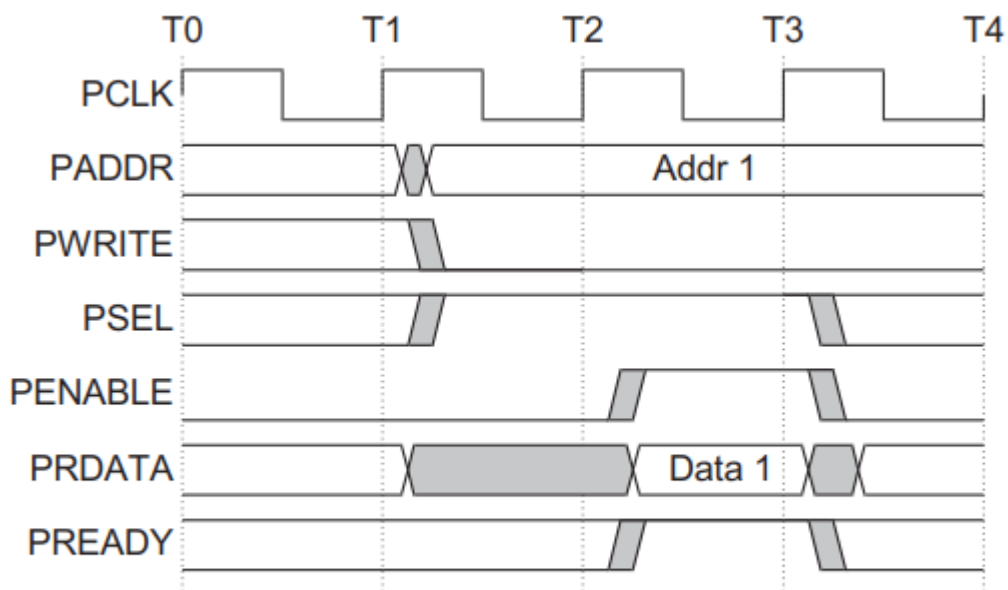


Figure 3-4 Read transfer with no wait states

### 4. apb读等

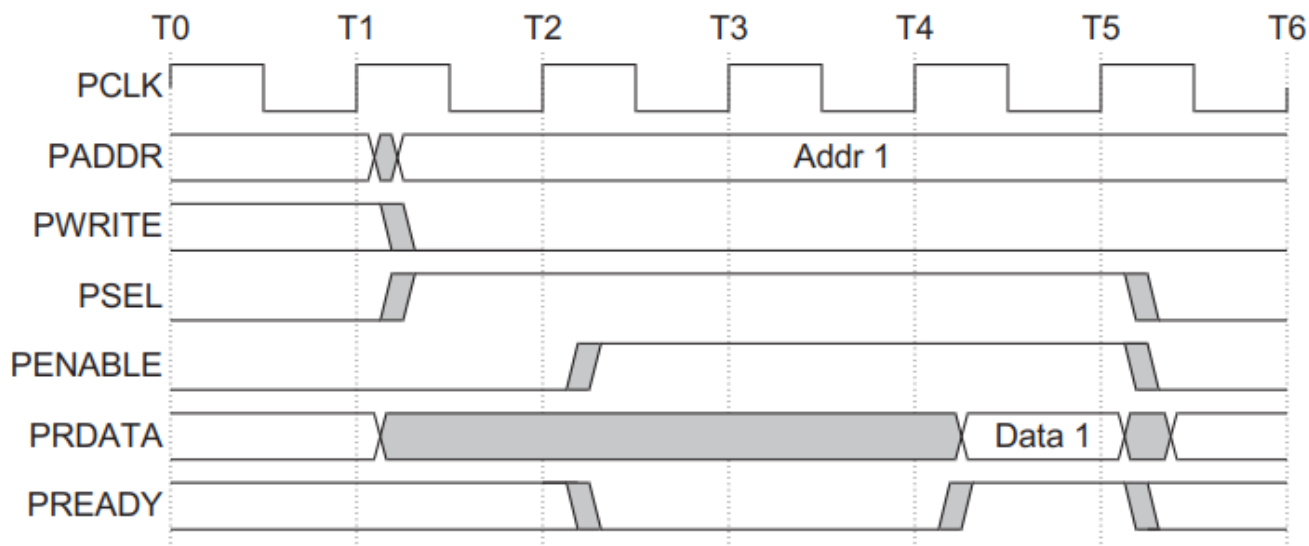


Figure 3-5 Read transfer with wait states